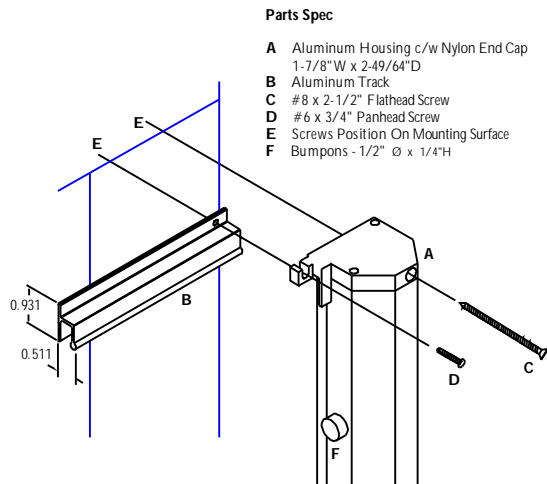


Phantom Door Design Specifications

External Assembled View

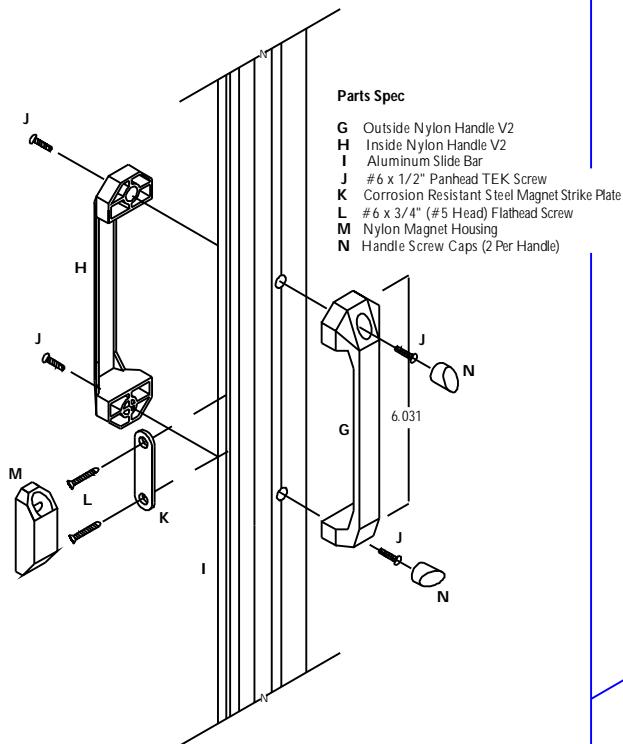
For Illustration Purposes Only - Not Drawn to Scale



Parts Spec

- A Aluminum Housing c/w Nylon End Cap
1-7/8" W x 2-49/64" D
- B Aluminum Track
- C #8 x 2-1/2" Flathead Screw
- D #6 x 3/4" Panhead Screw
- E Screws Position On Mounting Surface
- F Bumpers - 1/2" \varnothing x 1/4" H

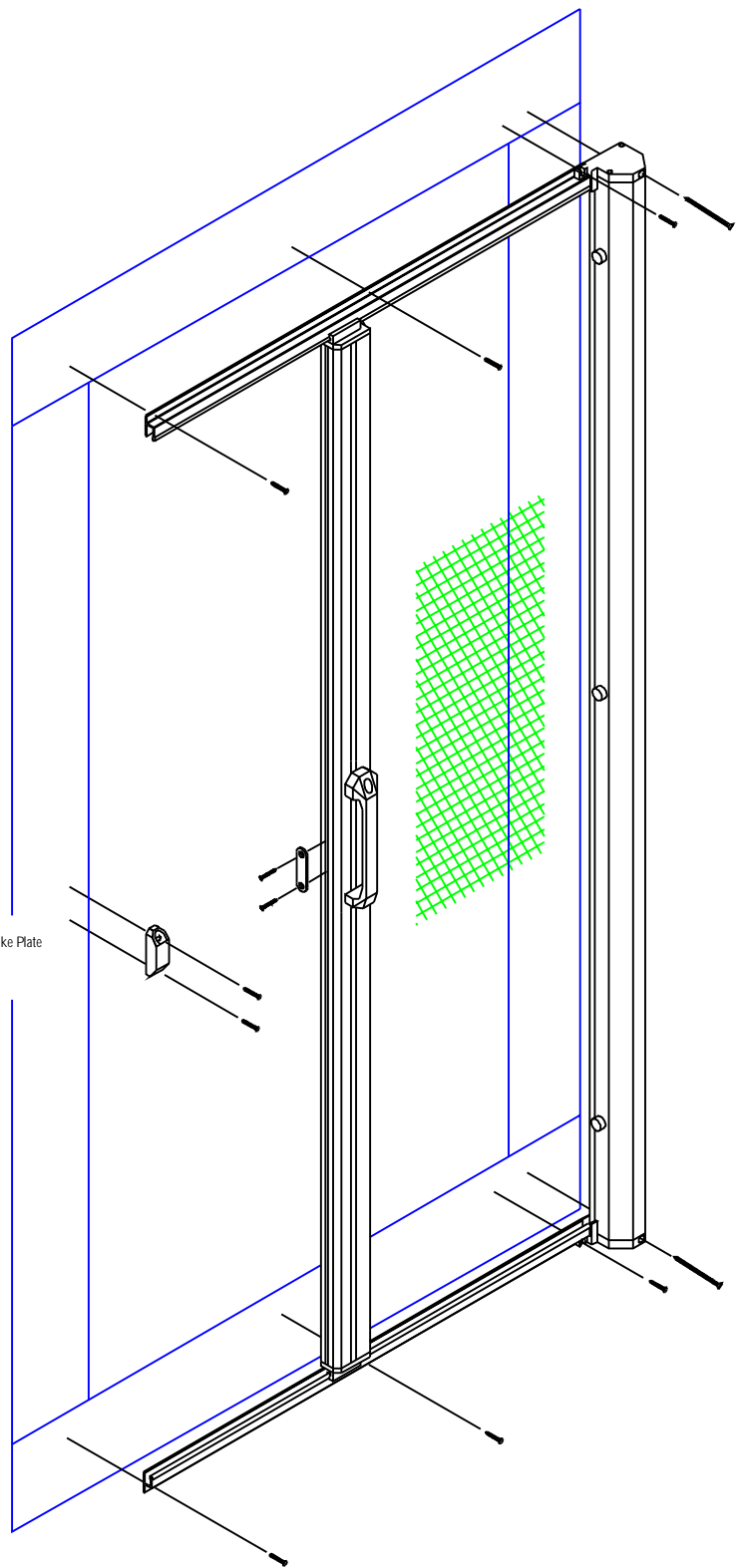
**DETAIL OF TRACK POSITION
IN RELATION
TO THE HOUSING AND HOUSING END CAP
(HEAD VIEW)**



Parts Spec

- G Outside Nylon Handle V2
- H Inside Nylon Handle V2
- I Aluminum Slide Bar
- J #6 x 1/2" Panhead TEK Screw
- K Corrosion Resistant Steel Magnet Strike Plate
- L #6 x 3/4" (#5 Head) Flathead Screw
- M Nylon Magnet Housing
- N Handle Screw Caps (2 Per Handle)

**DETAIL OF HANDLE AND
STRIKE PLATE POSITION
IN RELATION
TO THE SLIDE BAR**



Creator: NDR	Date: 12/06/2007	Revision: Rev:
Drawing Title: PSPHANPRODDDESIGNSPEC01		
© 2010 Phantom Mfg. Intl Ltd.		Scale: NTS