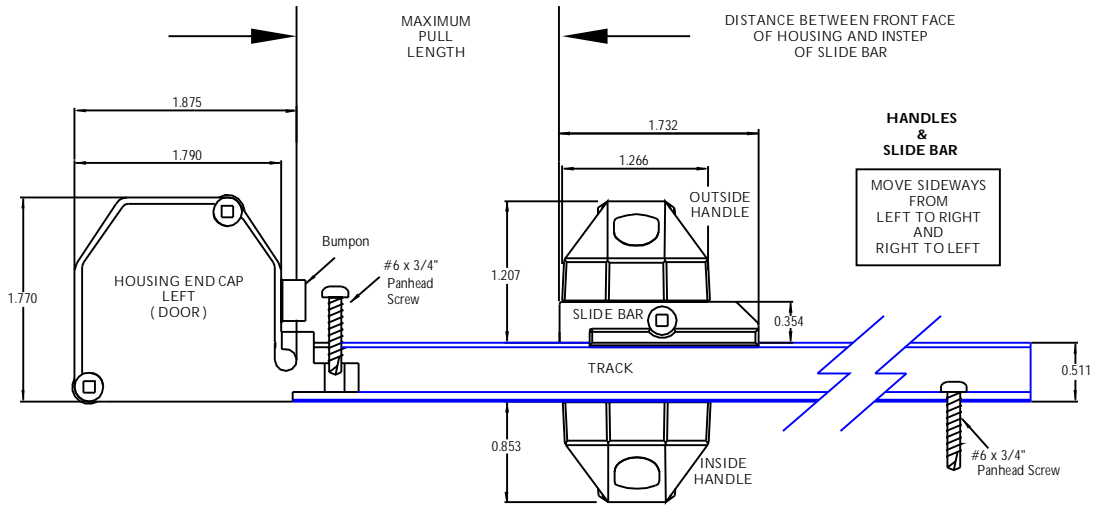
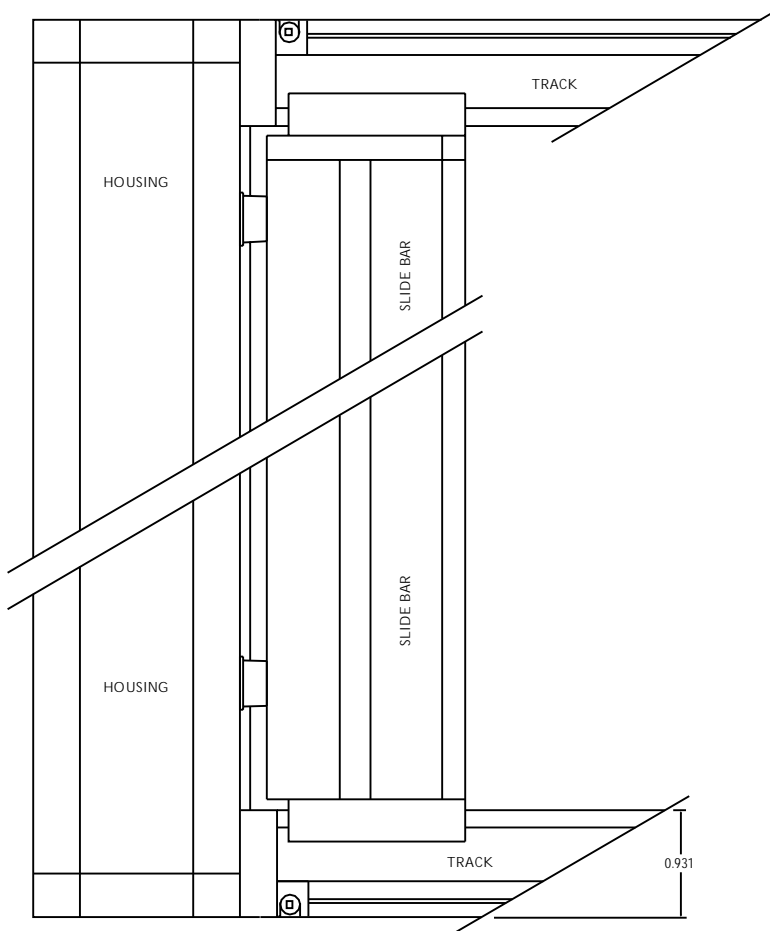


Phantom Door Design Specifications

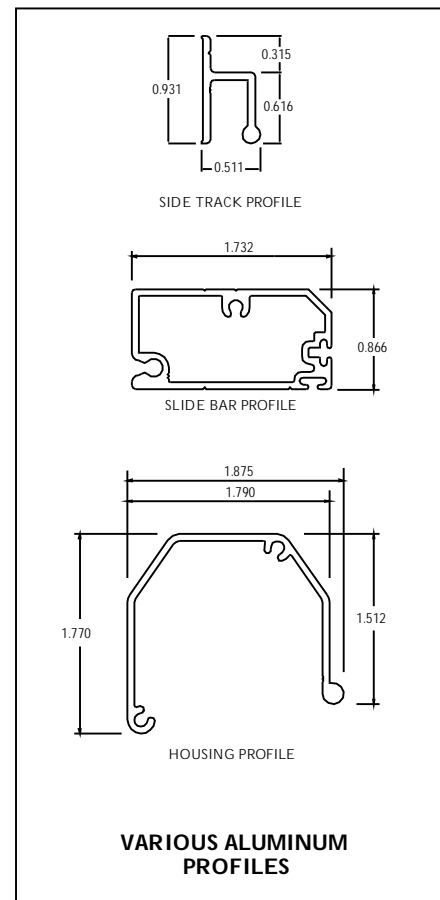
Detail Views



BOTTOM VIEW



FRONT VIEW



All dimensions are in inches

Creator: NDR	Date: 02/21/2006	Revision: Rev:
Drawing Title: PSPHANPRODESIGNSPEC02		
© 2010 Phantom Mfg. Intl Ltd.		Scale: 1 : 1